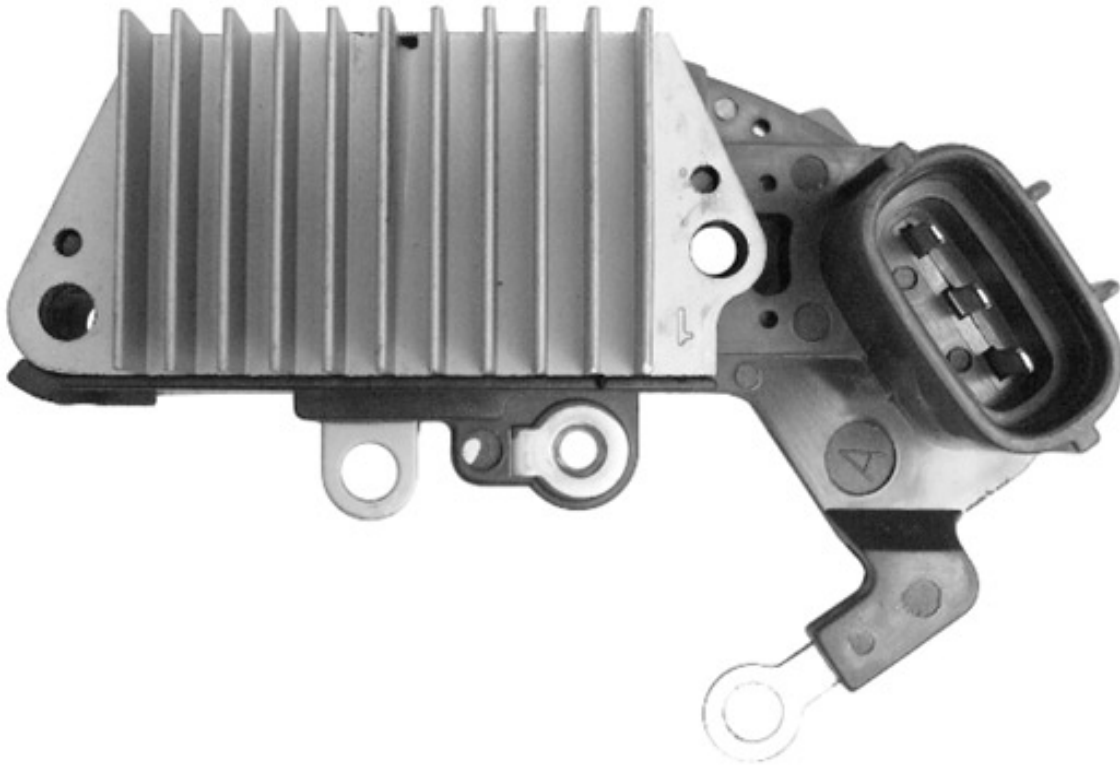




**ROTOFRANCE**

VOLTAGE REGULATORS

## U2150



**Electronic Regulator:** 14.5V

**Equivalent:** 126000-2150, 2151

**Applications:** Honda; Isuzu