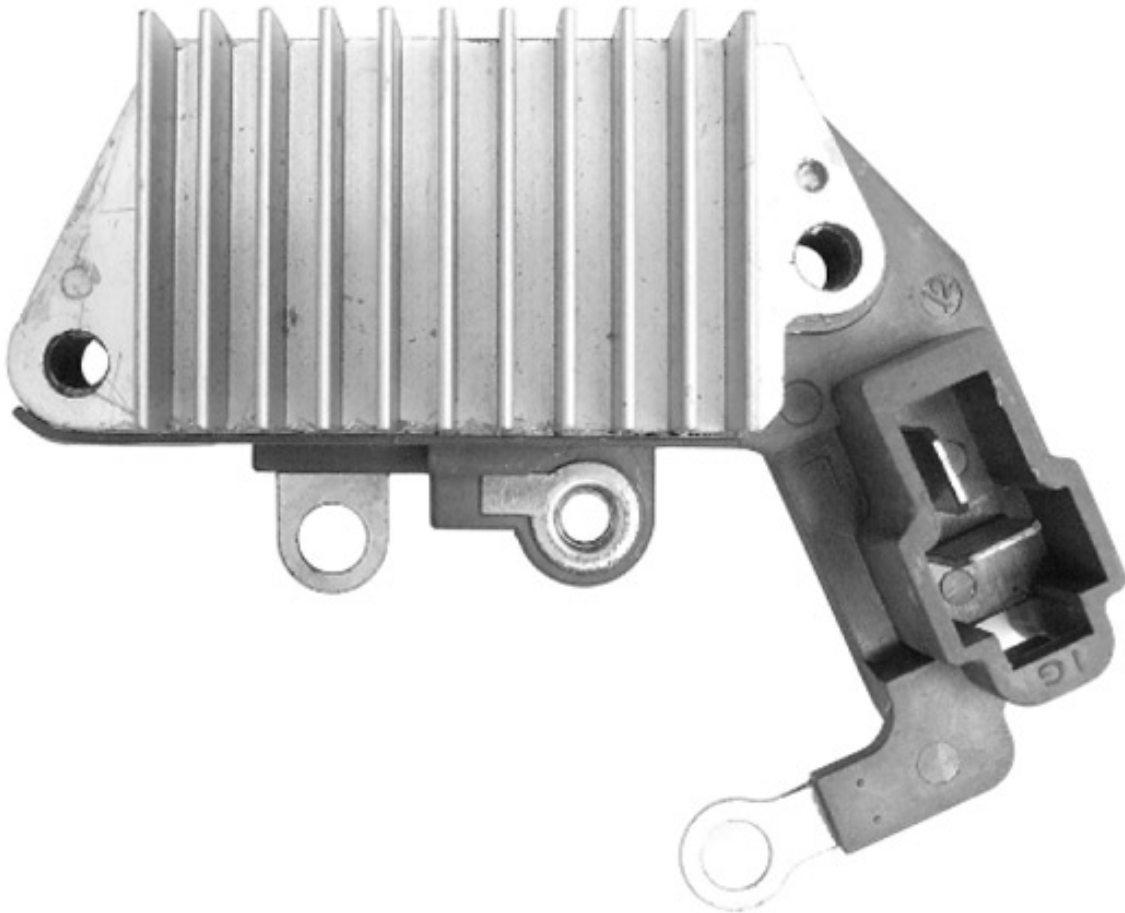




**ROTOFRANCE**

VOLTAGE REGULATORS

## U0970



**Electronic Regulator:** 14.5V

**Equivalent:** 126000-0970, 0971

**Applications:** Mitsubishi; Toyota