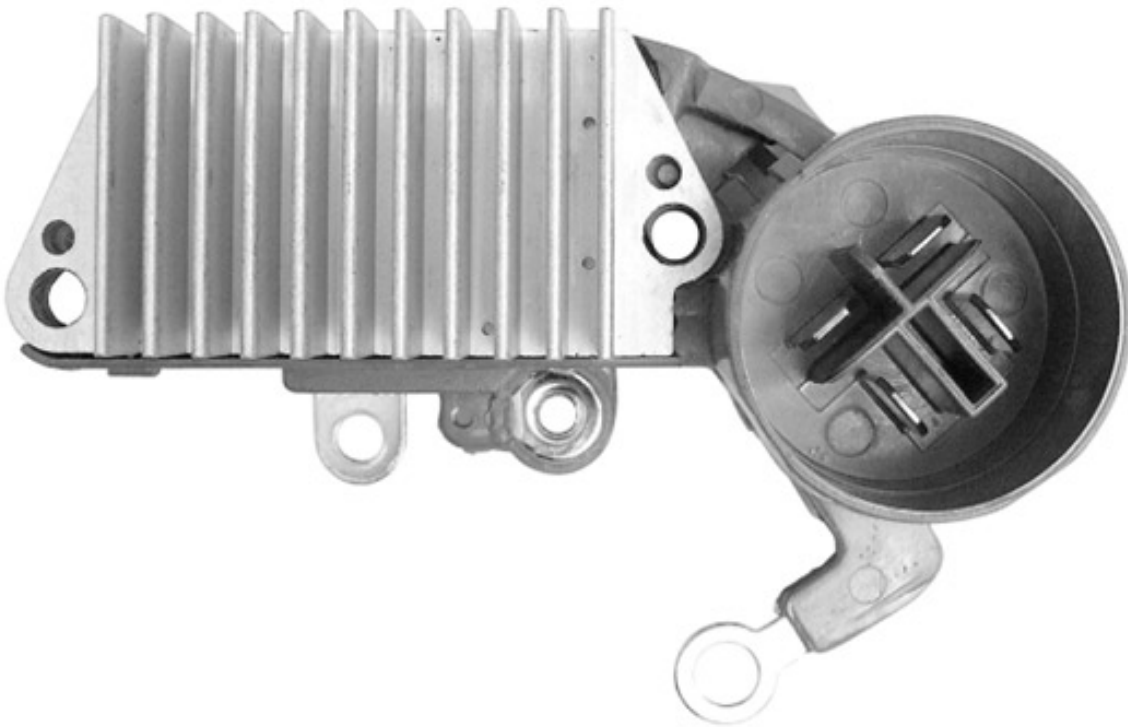




**ROTOFRANCE**

VOLTAGE REGULATORS

## U0550



**Electronic Regulator:** 14.5V

**Equivalent:** 27700L87704-000; 126000-0550; 0980, 1550, 1570; 27700-10050, 10080, 66010

**Applications:** Toyota; Daihatsu